

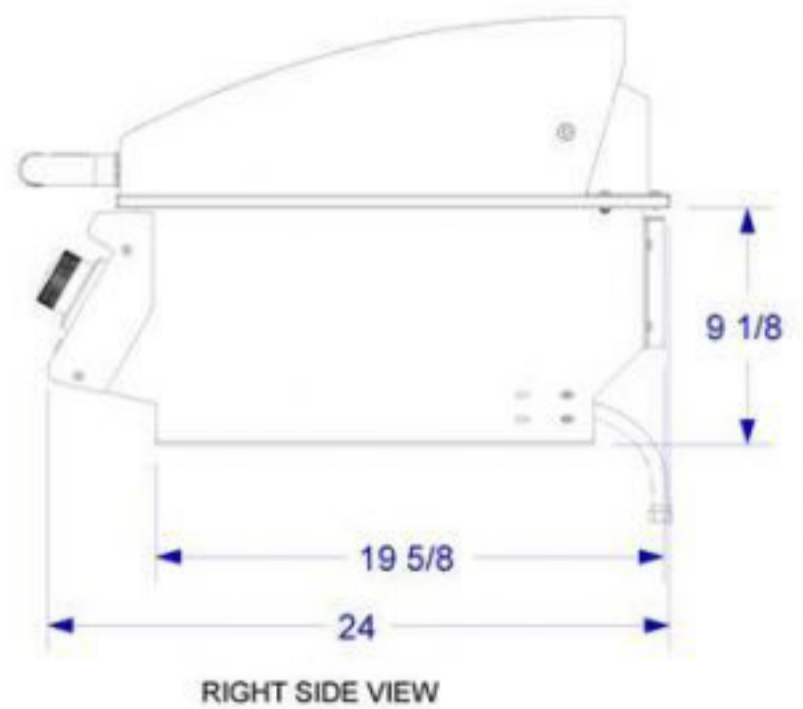
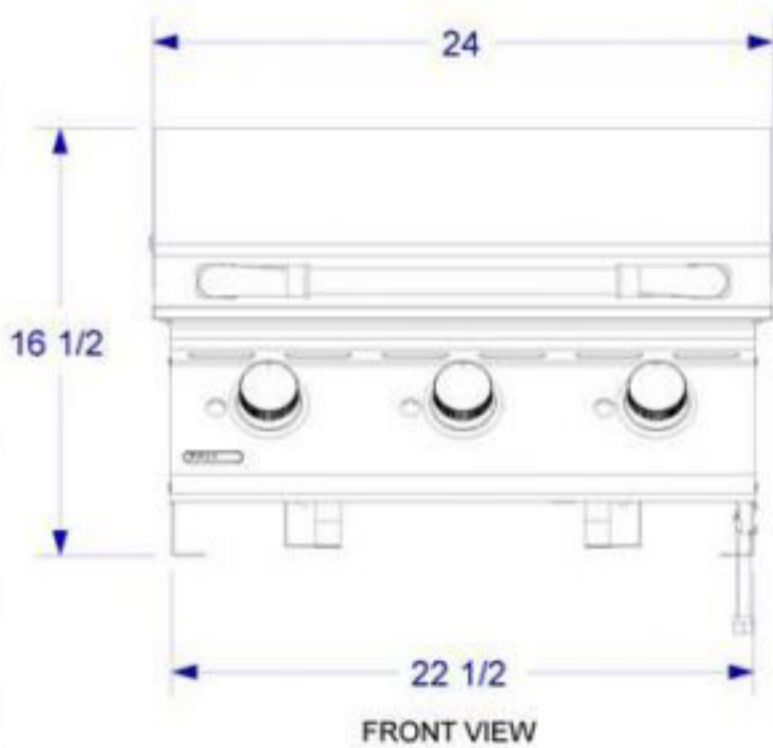


## GRIDDLE SPEC SHEET

\*ISLAND MUST BE CONSTRUCTED WITH NON-COMBUSTIBLE MATERIALS; REFER TO GRILL OWNERS MANUAL.



ISOMETRIC VIEW



**NOTES:**

1. CUTOUT DIMENSIONS: 23"W X 21"D X 9 1/2"H
2. SCALE: 1 1/4" = 1'-0"