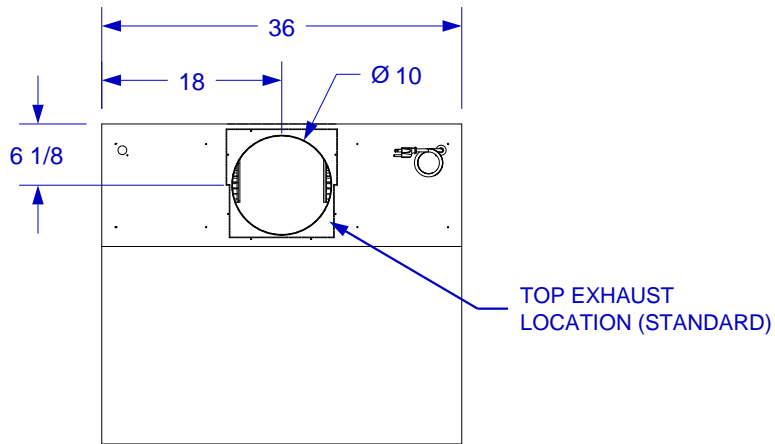
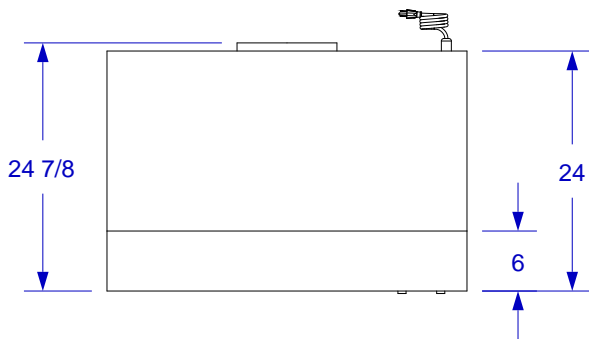




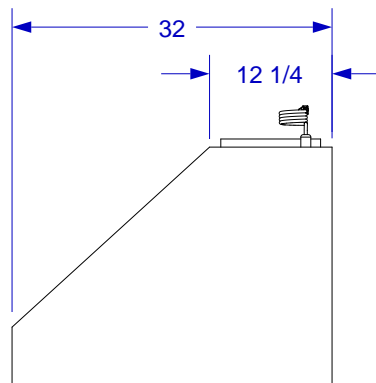
VENT HOOD SPEC SHEET



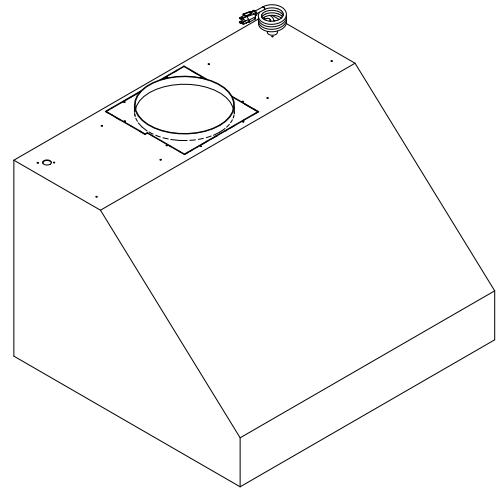
TOP VIEW



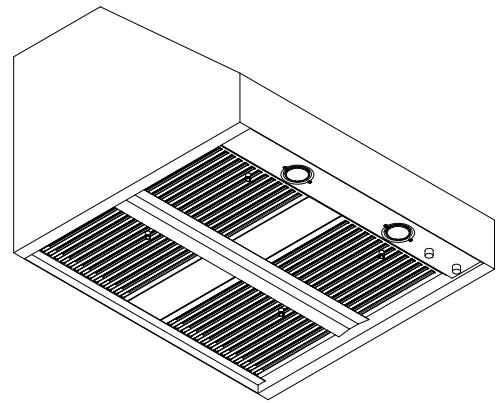
FRONT VIEW



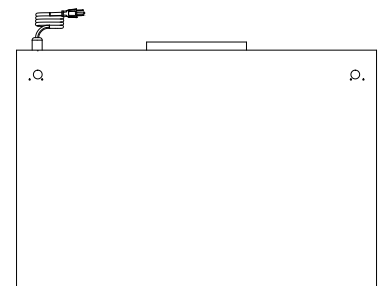
RIGHT SIDE VIEW



TOP ISOMETRIC VIEW



BOTTOM ISOMETRIC VIEW



BACK VIEW

- NOTES:**
1. 1250 CFM
2. SCALE: 5/8" = 1'-0"
3. REVISION: 08/2010