

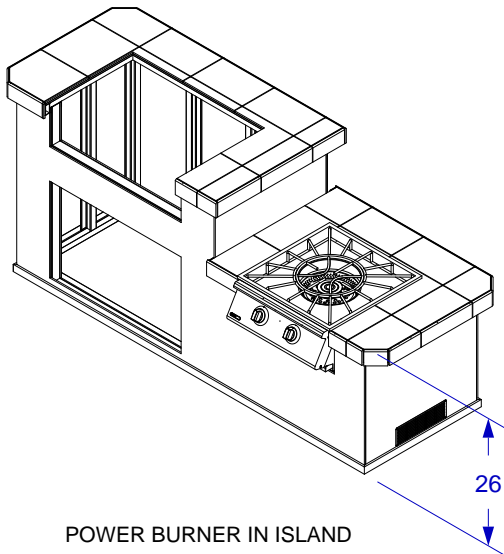


POWER BURNER

SPEC SHEET

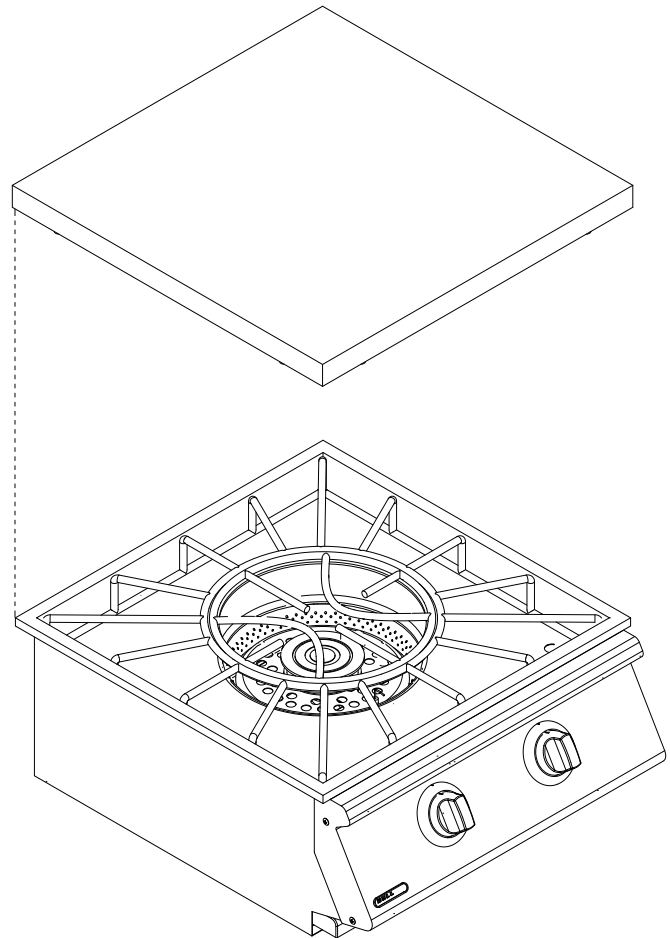
SKU #96000 S

SKU #96001 S

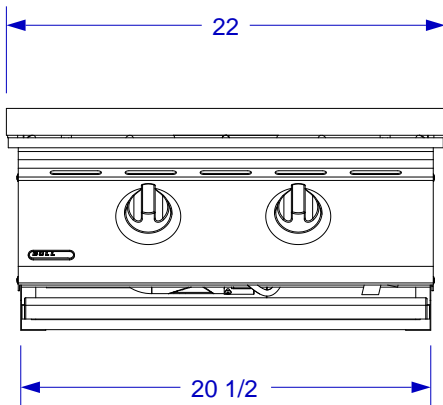


POWER BURNER IN ISLAND

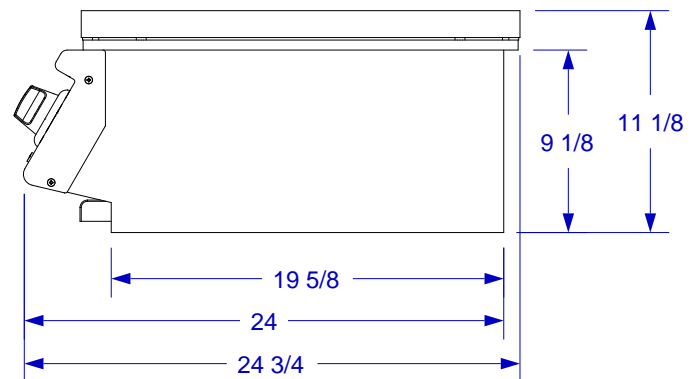
(SEE NOTE #2)



ISOMETRIC VIEW



FRONT VIEW



RIGHT SIDE VIEW

NOTES:

1. CUTOUT DIMENSIONS: 21 1/4" W X 21" D X 9 1/2" H
2. THE COUNTER TOP FOR THE POWER BURNER IS RECOMMENDED AT 26" FROM THE GROUND TO THE TOP OF THE COUNTER.
3. SCALE: 1 1/4" = 1'-0"
4. REVISION: 07/2015