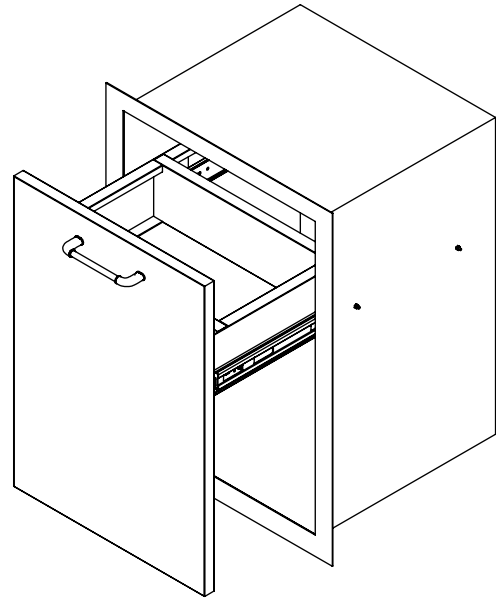
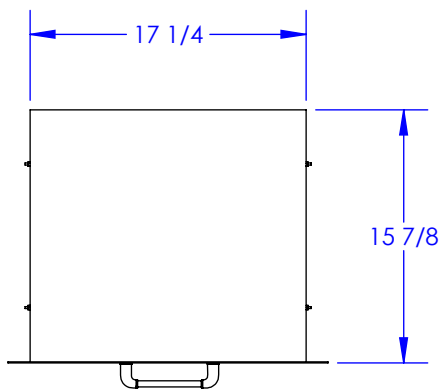




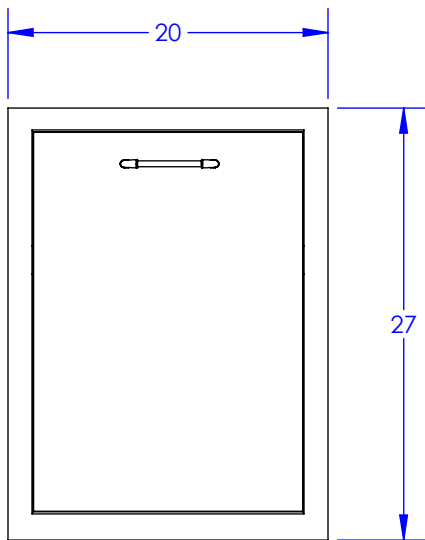
PULL OUT TRASH DRAWER SPEC SHEET



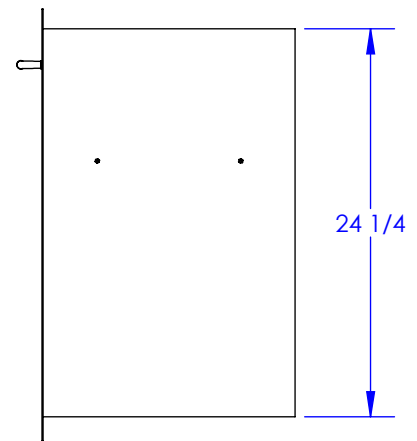
ISOMETRIC VIEW



TOP VIEW



FRONT VIEW



LEFT VIEW

- NOTES:
1. CUTOUT DIMENSIONS: 18 1/4"W X 25 1/4"H X 16"D
2. SCALE : 1" = 1'-0"